

QUIET RUNNING SERIES SWIMMING POOL PUMPS

BESTFLOW®

Applications:
Recycling and filtering of water for medium and commercial swimming pools.



THREE PHASE

FCP -S

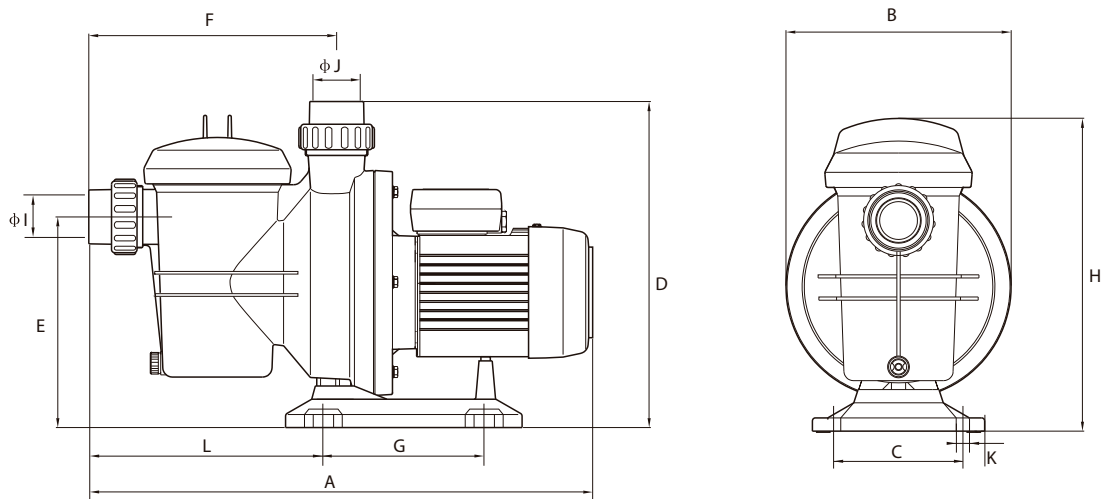
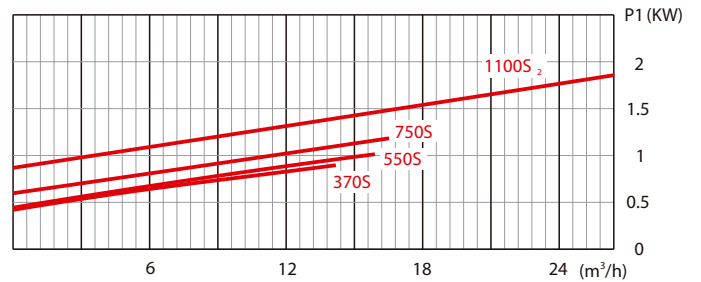
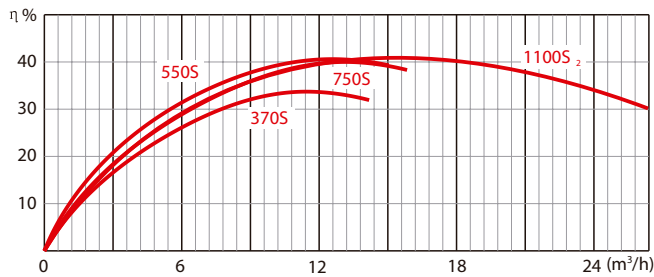
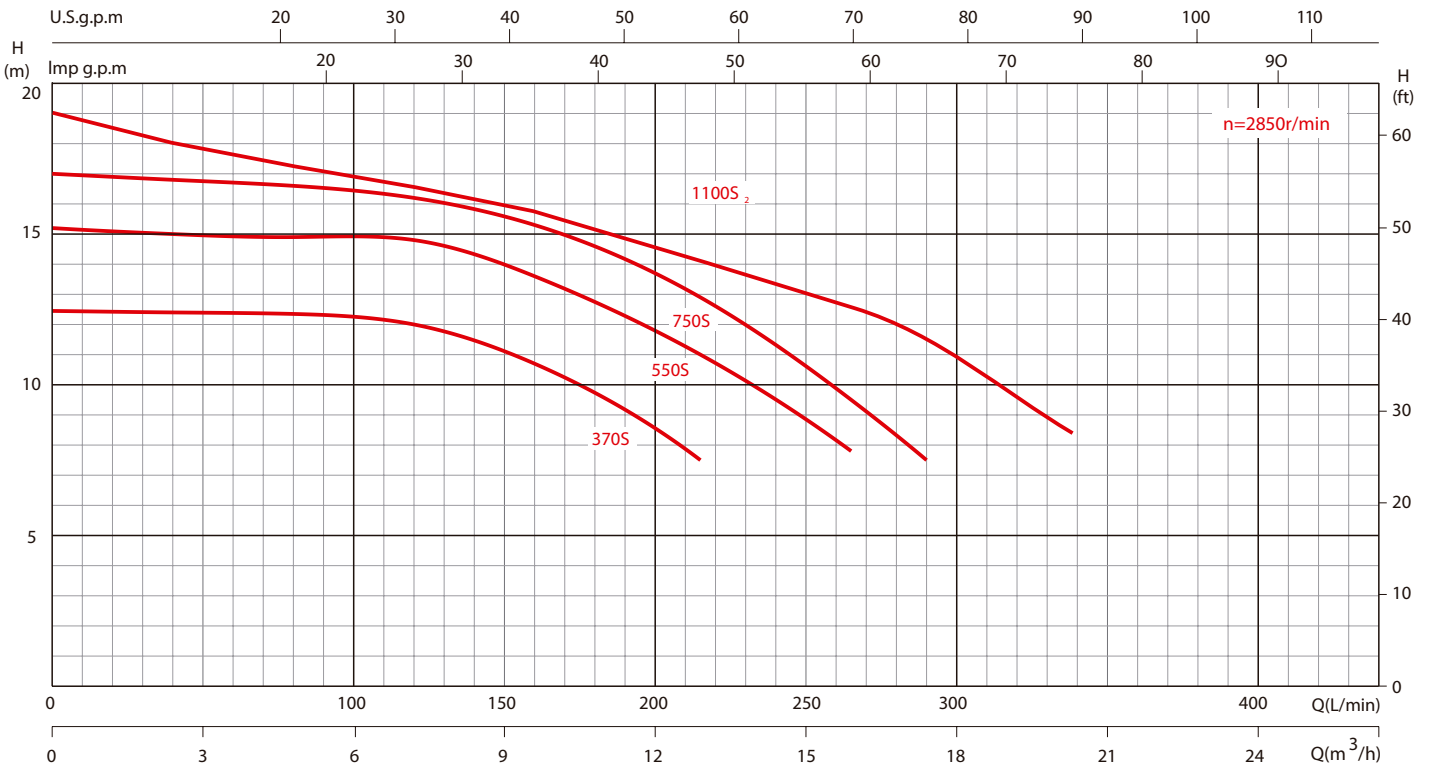
Quiet running single-stage centrifugal pumps, complete with prefilter.

Materials:
Pump body, pump foot and diffuser in glass loaded polypropylene.
Impeller in Noryl®.
Seal mounting in glass loaded polyamide.
Motor shaft in stainless steel AISI 420.
Mechanical seal in graphite and steatite.
Motor housing in aluminum L-2521.
Windings impregnated with epoxy resin.

Motor:
Asynchronous, two poles.
IP 55 protection.
Class F insulation.
Continuous operation.
Single phase version built-in thermal protection.

TECHNICAL DATA

Model	KW	KW	V		A		P1(KW)		Q	L/min									
			1~	3~	1~	3~	1~	3~			0	40	80	120	160	215	265	290	340
			50HZ	50HZ	220	380	1~	3~			m³/h	0	2.4	4.8	7.2	9.6	12.9	15.9	17.4
FCP-370S	0.5	0.37	220	380	3.6	1.4	0.8	0.8	H(m)	12.5	12.4	12.3	12.0	10.7	7.5				
FCP-550S	0.75	0.55	220	380	5.1	1.9	1.1	1.0		15.2	15.0	14.9	14.8	13.6	11.0	7.8			
FCP-750S	1	0.75	220	380	5.8	2.2	1.2	1.2		17.0	16.8	16.6	16.2	15.3	12.9	9.5	7.5		
FCP-1100S	2	1.5	220	380	7.4	3.0	1.9	1.9		19.0	18	17.2	16.6	15.8	14	13	11	8.5	



DIMENSIONS

	A	B	C	D	E	F	G	H	L	I	J	K	Kg
FCP-370S	550	238	160	345	225	262	170	330	205	φ 50	φ 50	4- φ 0	8.7
FCP-550S	550	238	160	345	225	262	170	330	205	φ 50	φ 50	4- φ 10	9.3
FCP-750S	550	238	160	345	225	262	170	330	205	φ 50	φ 50	4- φ 10	10.4
FCP-1100S ₂	570	238	160	345	225	262	170	330	205	φ 50	φ 50	4- φ 10	11.9

QUIET RUNNING SERIES SWIMMING POOL PUMPS

BESTFLOW®

Applications:
Recycling and filtering of water for medium and commercial swimming pools



THREE PHASE

FCP-S

Quiet running single-stage centrifugal pumps, complete with prefilter.

Materials:

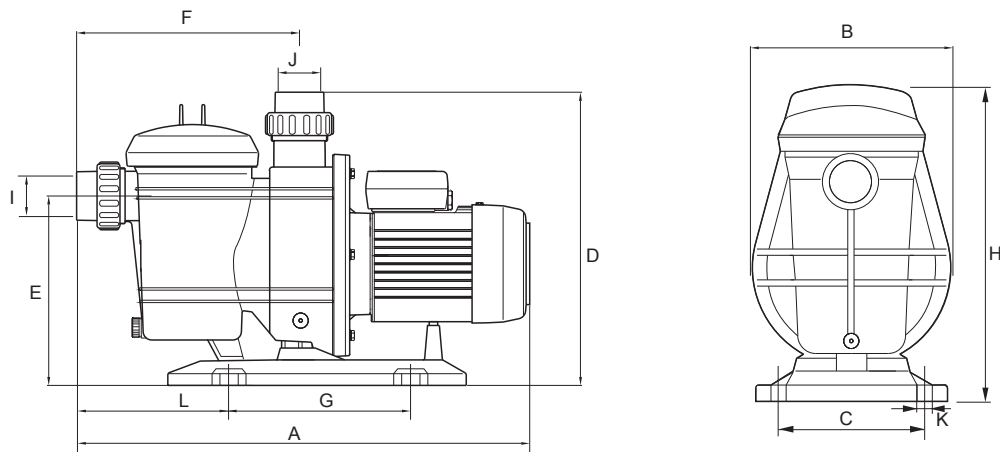
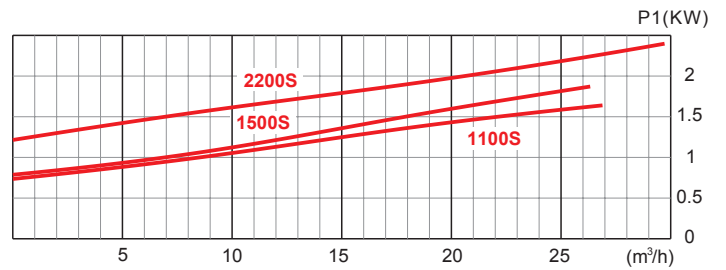
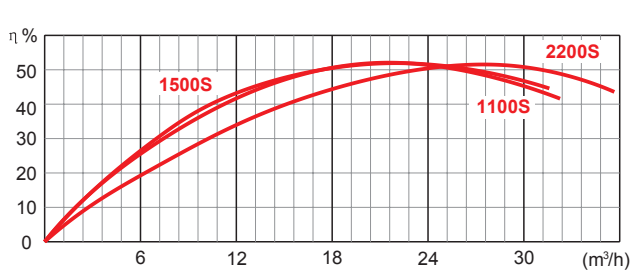
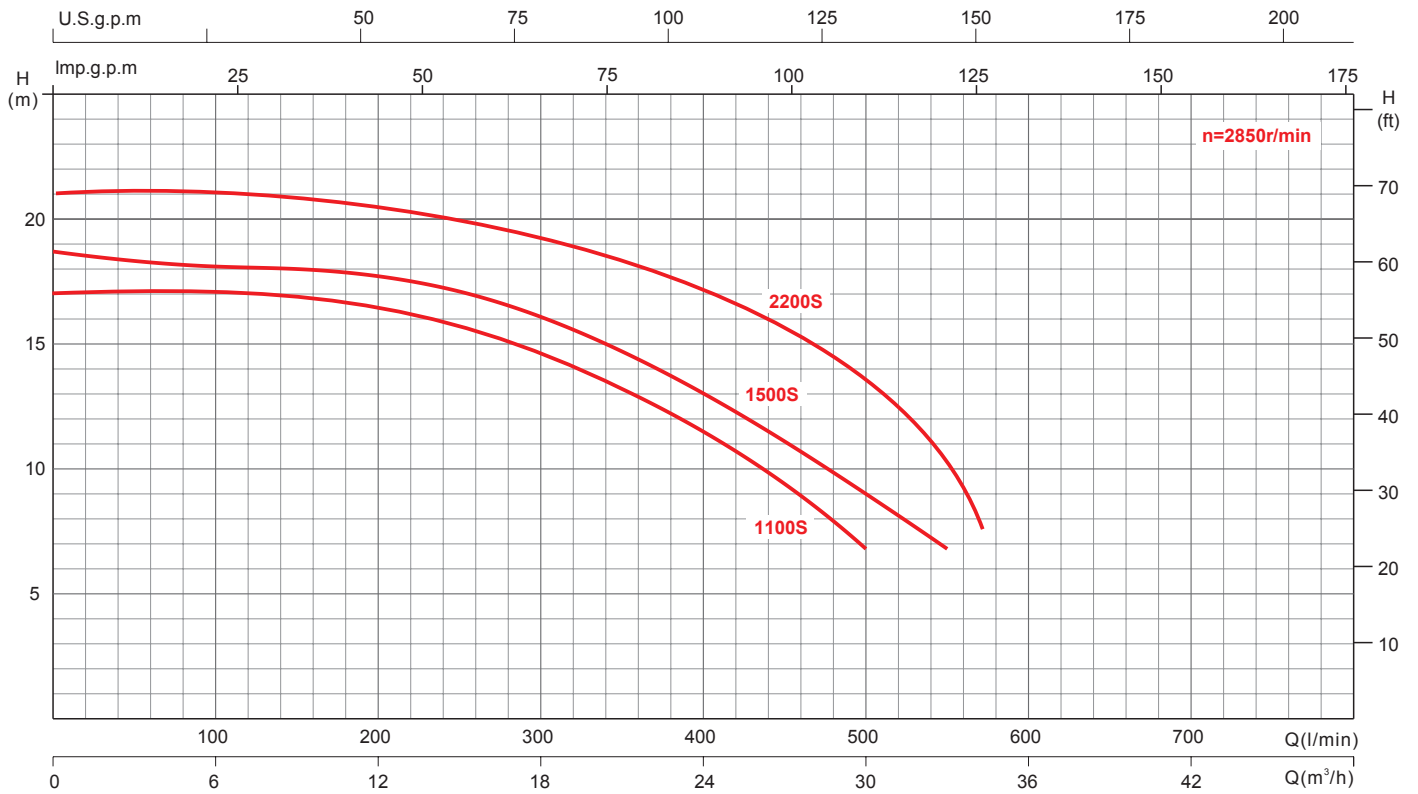
Pump body, pump foot, Seal mounting and diffuser in glass loaded polypropylene.
Impellor in PPO.
Motor shaft in stainless steel AISI 420.
Mechanical seal in graphite and steatite.
Motor housing in aluminum L-2521.

Motor:

Asynchronous, two poles.
IP 55 protection.
Class F insulation.
Continuous operation.
Single phase version built-in thermal protection.

TECHNICAL DATA

Model	HP	KW	V		A		P1(KW)		Q	L/min m³/h	0	100	150	250	350	450	500	550
			1~	3~	1~	3~	1~	3~										
			50HZ	50HZ	220	380	1~	3~										
FCP-1100S	1.5	1.1	220	380	7.9	3.0	1.9	1.9	H(m)	17	16.8	16.5	15.5	13.2	9.4	6.8		
FCP-1500S	2	1.5	220	380	10	3.9	2.2	2.2		19	18.5	18.0	17.1	14.7	11	9	6.8	
FCP-2200S	3	2.2	220	380	13.1	4.9	2.8	2.8		21.5	20.9	20.5	19.4	18	15.4	12.6	7.2	



DIMENSIONS

	A	B	C	D	E	F	G	H	L	I	J	K	Kg
FCP-1100S	655	270	230	450	295	335	200	440	270	φ63	φ63	4-φ10	16.6
FCP-1500S	655	270	230	450	295	335	200	440	270	φ63	φ63	4-φ10	19
FCP-2200S	655	270	230	450	295	335	200	440	270	φ63	φ63	4-φ10	18.3

QUIET RUNNING SERIES SWIMMING POOL PUMPS

BESTFLOW®

Applications:
Recycling and filtering of water for medium and commercial swimming pools.



FCP -A

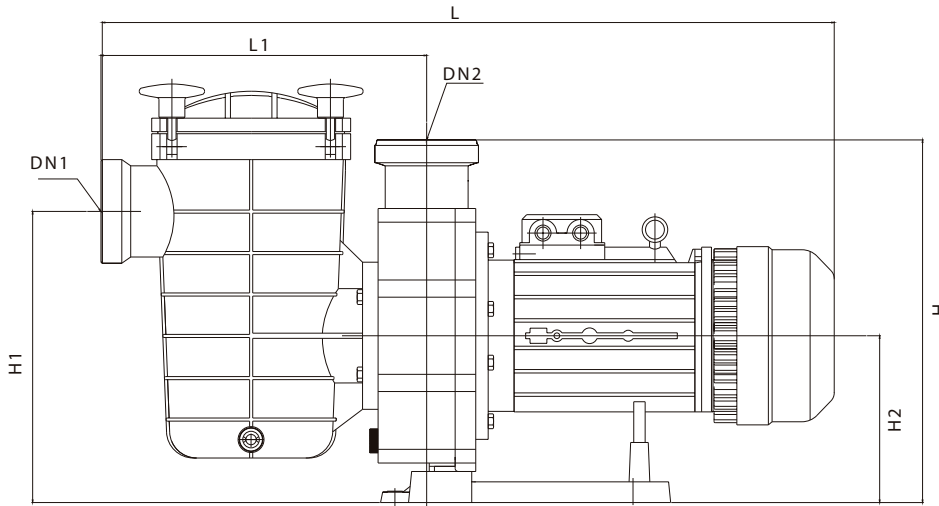
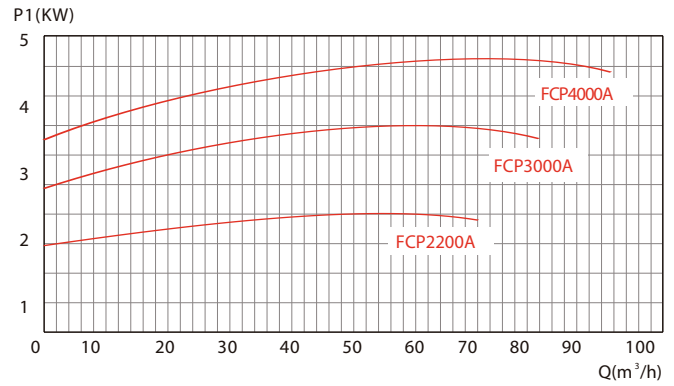
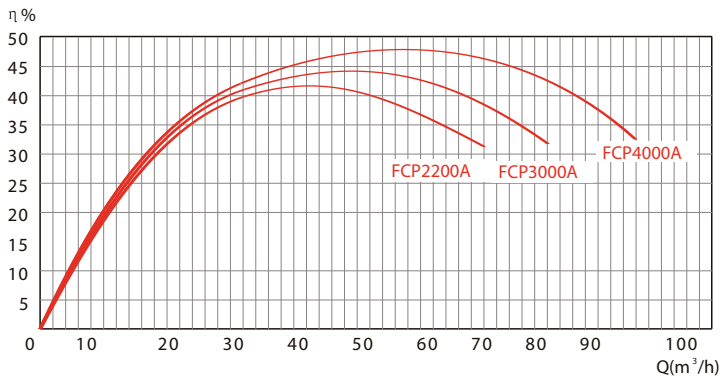
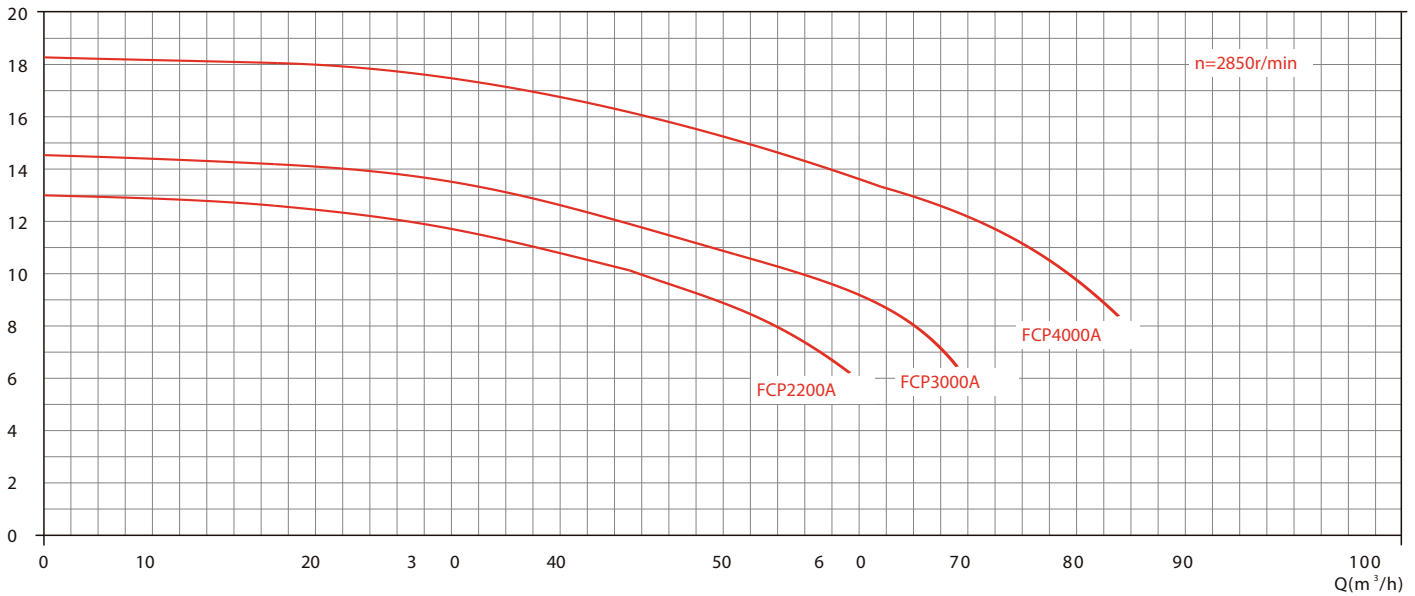
Quiet running single-stage centrifugal pumps, complete with prefilter .

Materials:
Prefilter, pump body, pump foot in PP .
Seal mounting and impellor in PPO.
Motor shaft in stainless steel AISI 420.
Mechanical seal in SIC&SIC.
Motor housing in aluminum L-2521.

Motor:
Asynchronous, two poles.
IP 55 protection.
Class F insulation.
Continuous operation.

TECHNICAL DAT A

Model	HP	KW	V		A		P1(KW) 1~/3~	Q	L/min								
			50HZ	50HZ	220V	380V			0	333.3	500	666.7	833.3	1000	1166.7	1333.3	
FCP-2200A	3	2.2	220	380	15	4.9	2.8	H(m)	13	12.6	11.8	10.6	9	6.2			
FCP-3000A	4	3		380		6.4	3.6		14.5	14.2	13.5	12.6	11	9.5	6.5		
FCP-4000A	5.5	4		380		8.3	4.7		18.2	17.8	11	16.3	16	13.8	12.2	8.4	



DIMENSION

	L	L1	H	H1	H2	DN1	DN2
FCP-2200A	653	310	319	286	156	φ 75	φ 75
FCP-3000A	683	310	319	286	156		
FCP-4000A	718	310	319	286	156		